

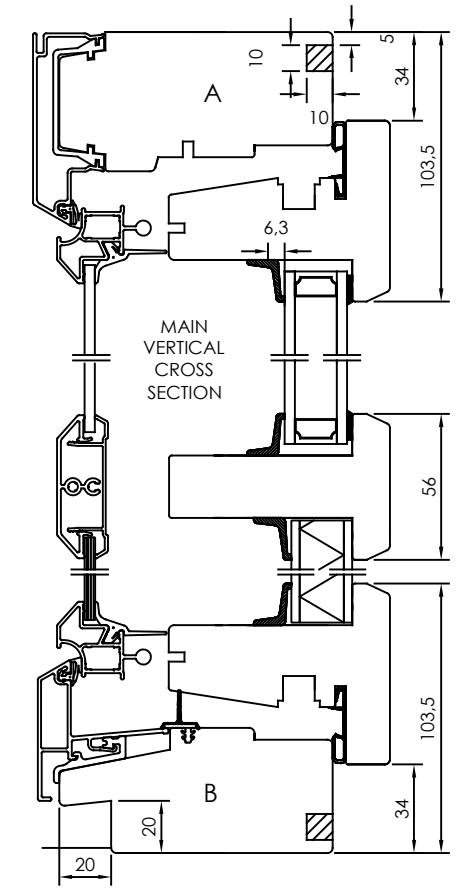
MAIN HORIZONTAL CROSS SECTION

VARIANT, FITTINGS

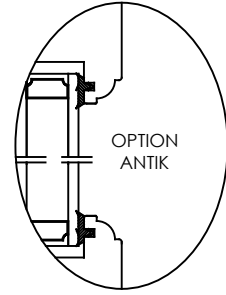
- Exterior hinges.
- Exterior tilt before turn hinges (kipp-dreh).
- Internal hidden tilt before turn hinges (kipp-dreh).

ALL AROUND OPTION

- Internal slot (not for exterior kipp-dreh).

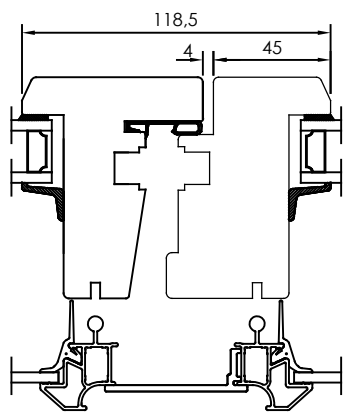
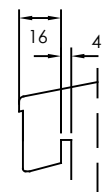


MAIN VERTICAL CROSS SECTION

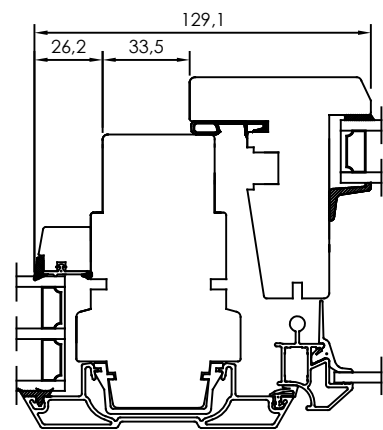


OPTION ANTIK

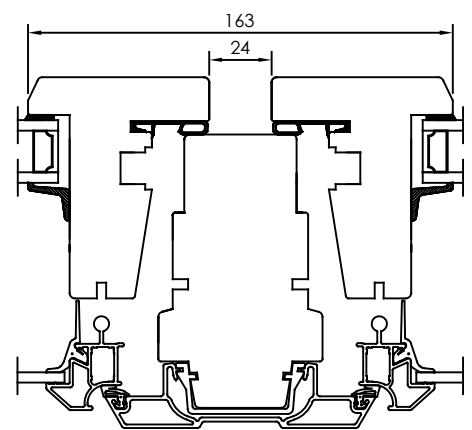
VERTICAL CS OPTION - Norwegian nose.



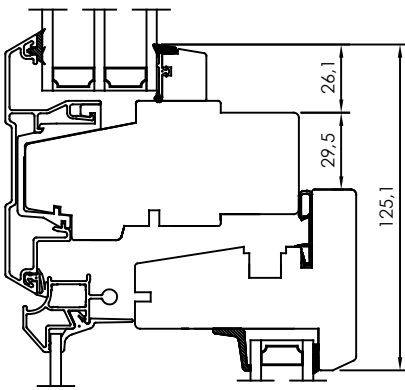
HORIZONTAL CS OPTION - Two horizontal abutting sashes.



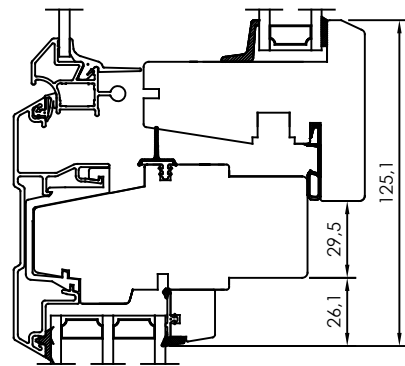
HORIZONTAL CS OPTION - One glass in fixed frame, the other in sash with side hung fittings and kipp-dreh function.



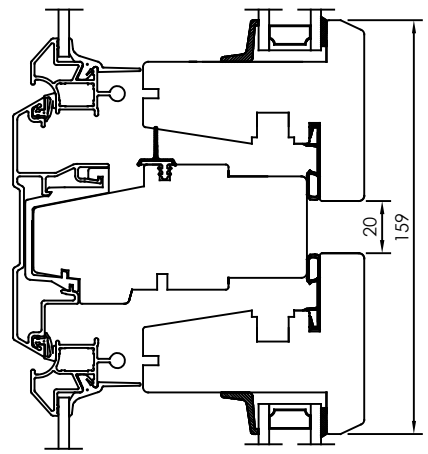
HORIZONTAL CS OPTION - Two horizontal sashes with middle post.



VERTICAL CS OPTION - Top glass in frame and bottom glass in sash with side hung fittings and kipp-dreh function.



VERTICAL CS OPTION - Top glass in sash with side hung fittings and kipp-dreh function, bottom glass in frame.



VERTICAL CS OPTION - Top and bottom glass in sash with side hung fittings and kipp-dreh function, a middle post inbetween.

CS = CROSS SECTION

Item	No.	Description	Drawingnumber	Articlenumber
Revision notification		Revised by		Revised date
AM40-20170327TE				
Revision description		Ytterbåge 376315 utbytt till 378892. Ny glas/dammlist ytterbåge.		
Description		Created by	Created date	
Window, Inward opening coupled 2+1.		SH	2019-05-16	
Material		General tolerance acc. to ISO2768-1		Processing code
Included in product		Included in product family		Article number
Inward		Side Hung + Tilt & Turn + Fixed		



Draw view Scale Size Drawing number Revision no.

1:2 A3 40-37-W38 E (A)